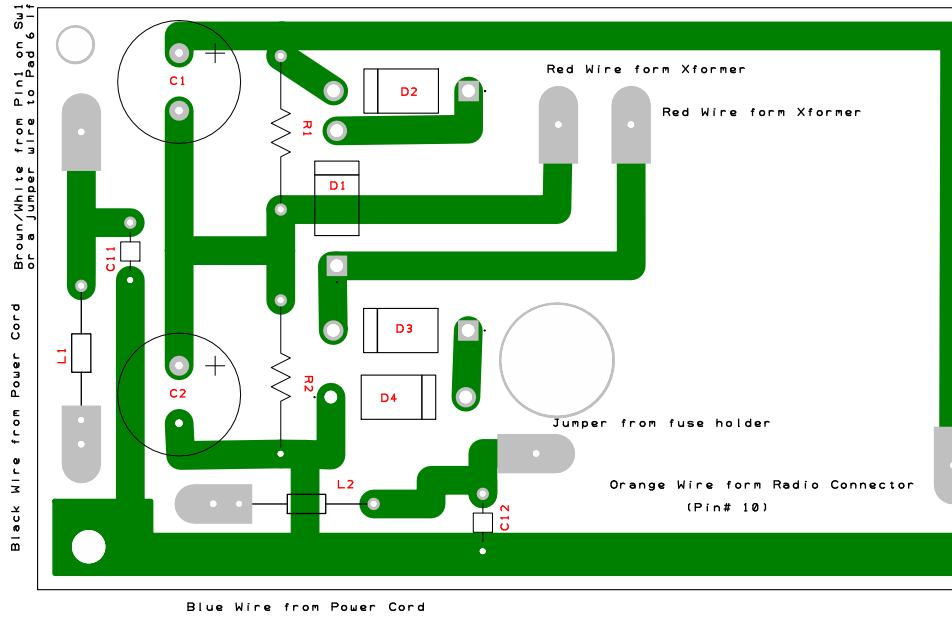


With SW1 Switch

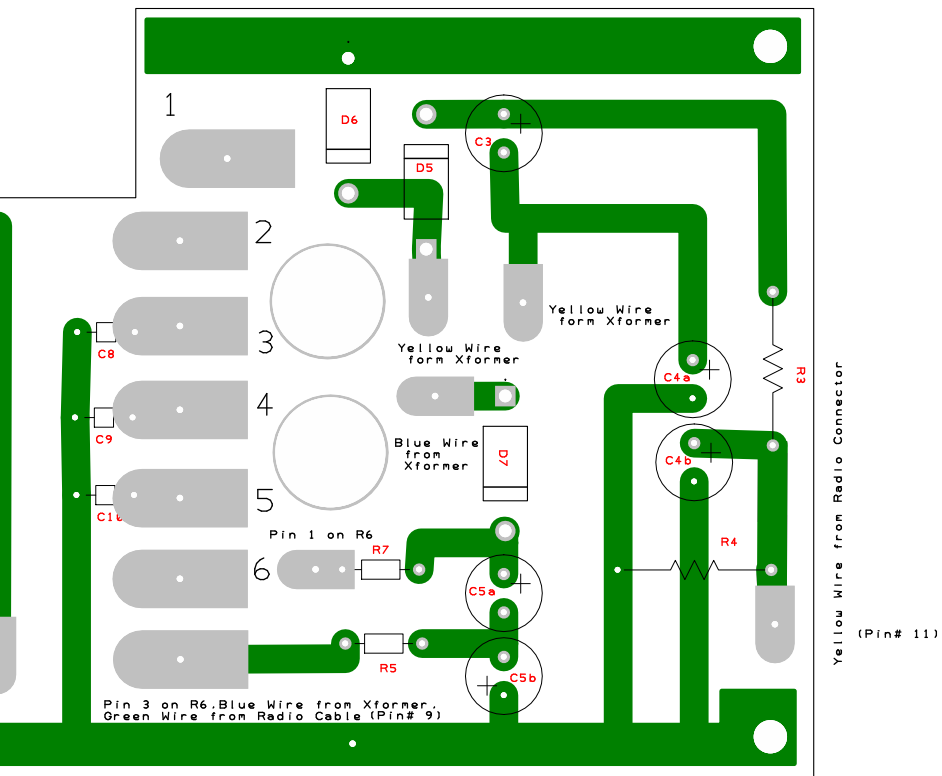
Pins:1.2.3 are Closest to Board

- Pad 1: Green/White from Pin 5 on SW1 @ Green/Black Wire from Xformer
- Pad 2: Brown/White from Pin 2 on SW1 @ Yellow/Black Wire from Xformer
- Pad 3: White Wire from Radio Cable (Pin# 4) @ 1 Green Wire from Xformer
- Pad 4: Black Wire from Radio Cable (Pin# 6) @ 1 Green Wire from Xformer
- Pad 5: Purple/White on SW1 Pin4, Brown Wire from Radio Cable (Pin# 1) @ Black from Xformer
- Pad 6: Brown/White on SW1 Pin1 @ Red/Black from Xformer



ch

ton Cover of Supply



Pin 2 on R6 and Grey wire from Radio Coconnector that is also on (Pin# 6)
Pin 1 is closest pin to bottom cover of Supply R6 is your Bias control